



Product Description

The eLucent WPDS WallPack offers energy efficiency with a high lumen output best suited for outdoor illumination. With effective thermal management, corrosion-resistant, and die cast aluminum enclosure, the WPDS WallPack offers a glare free and uniform lighting all while providing a safe and comfortable visual experience. It guarantees 60-90 percent energy savings.

Features

- Available Dual Function Sensors: Motion & Photocell
- Maintenance Free & Environmentally Friendly (No Mercury Used)
- Dusk-To-Dawn Occupancy Control Compatible
- ES LM80 Tested LED
- LM79 Data & IES Files Available
- 1-10V Dimming Title 24 Compliant
- Available in 28, 40, 60, & 90-watts
- DLC Product Code: P00000530&P0000052U&P0000052W&P0000052Y

Project Name:

Date:

Prepared By:

Notes:

Construction

Constructed in a heavy-duty die cast aluminum with prismatic glass for brilliant light distribution.

Finish

Luminaire coated in an environmentally friendly polyester powder formulated for a durable and long-lasting color in a bronze finish. No toxic heavy metals, VOC, or mercury were used in the design of this product.

Installation

Directly mount on to any vertical surface over a standard 4" outlet box or for surface wiring.

Testing and Certifications

All luminaires have been tested by an independent laboratory in accordance with IESNA LM79 and LM80. Product certifications include: DLC, ETL, Title 24, RoHS, Lighting Facts, and Safety Listing.

Options, Accessories and Controls

Luminaire is compatible with most of the 1-10V dimming systems in the market and sensors including: dual function, KO, and backup sensor.

Lifespan and Warranty

Industry-leading L70 rated lifetime of over 94,000 hours with ATG's guaranteed five (5) year warranty.

Ordering Information:

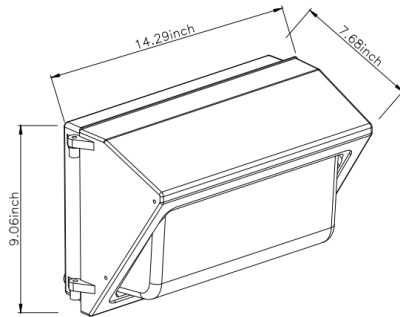
Typical Order Example: WPDS28HU501000

Series	Housing	Watt	Voltage	CCT	Dimming	Options
WP=Wall Pack	DS=Glass Refractor	28=28W 40=40W 60=60W 90=90W	HU=100-277V H5=200-480V	30=3000K 35=3500K 40=4000K 50=5000K	10=1-10V Dimming	XX*

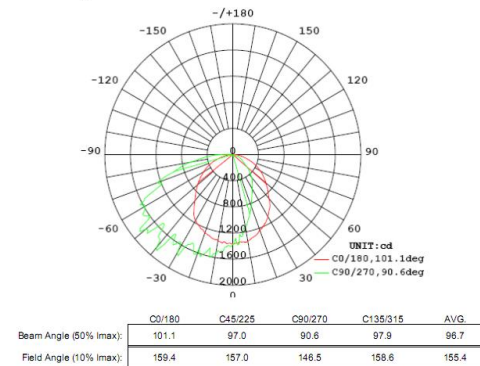
*X=0-9, A-Z or blank

Model	Wattage	Input Voltage	Lm Efficacy	Lm Flux	CRI	Color Temp	Power Factor	THD	L70Life time	Size
WPDS28	28w	100~277VAC	80Lm/W	2300LM	80+	4000K 5000K	>0.9	<20%	94,000H	14.29*7.68*9.06 in
WPDS40	40w	100~277VAC	80Lm/W	3200LM	80+	4000K 5000K	>0.9	<20%	72,000H	14.29*7.68*9.06 in
WPDS60	60w	100~277VAC	80Lm/W	4400LM	80+	4000K 5000K	>0.9	<20%	65,000H	18.31*9.61*9.06 in
WPDS90	90w	100~277VAC	80Lm/W	7200LM	80+	4000K 5000K	>0.9	<20%	65,000H	18.31*9.61*9.06 in

Finish Color	Housing	Lens Type	Certification	Warranty
Bronze	Die Cast Aluminum	Prismatic Glass	DLC, ETL	5 Years



Luminous Intensity Distribution



877.461.5333



sales@atgelectronics.com



www.atgelectronics.com